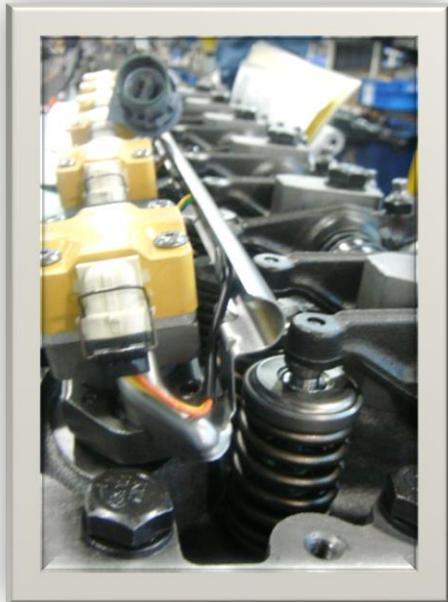
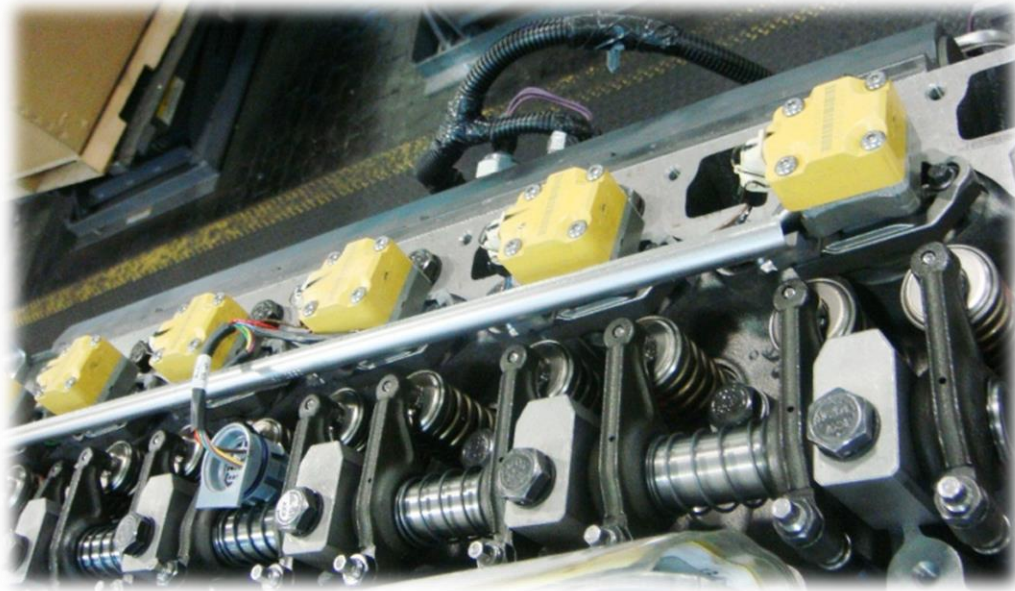
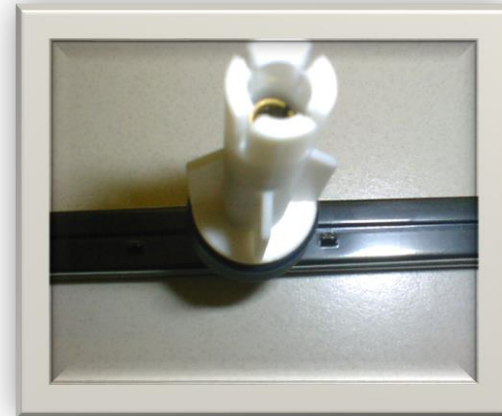
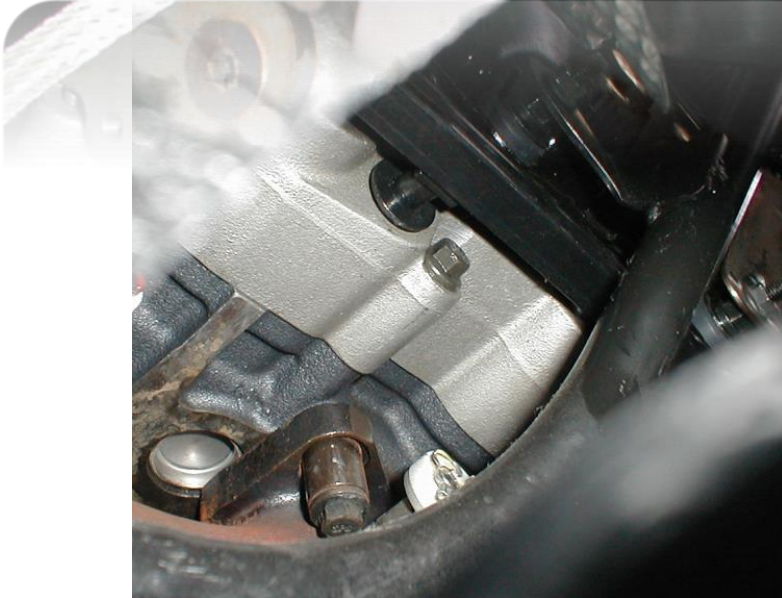
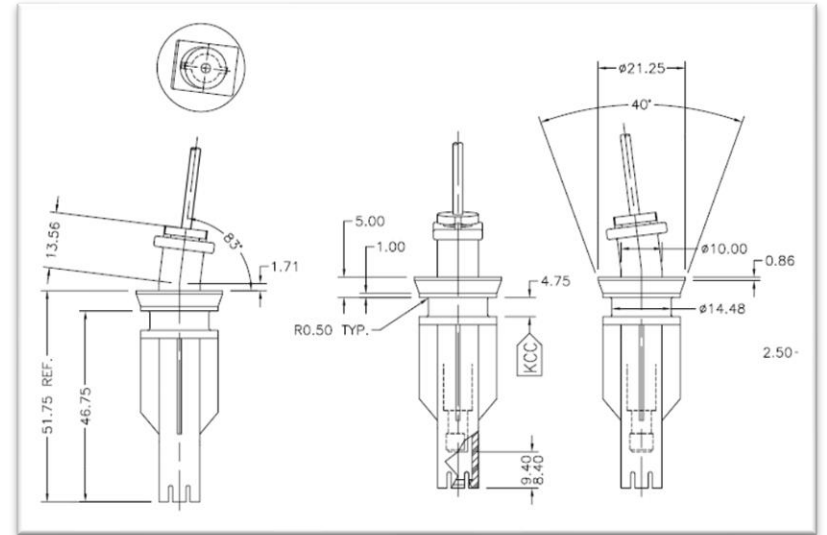


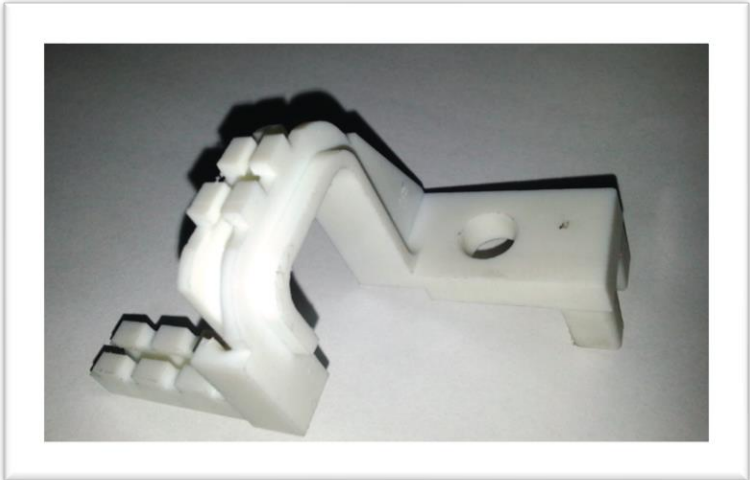
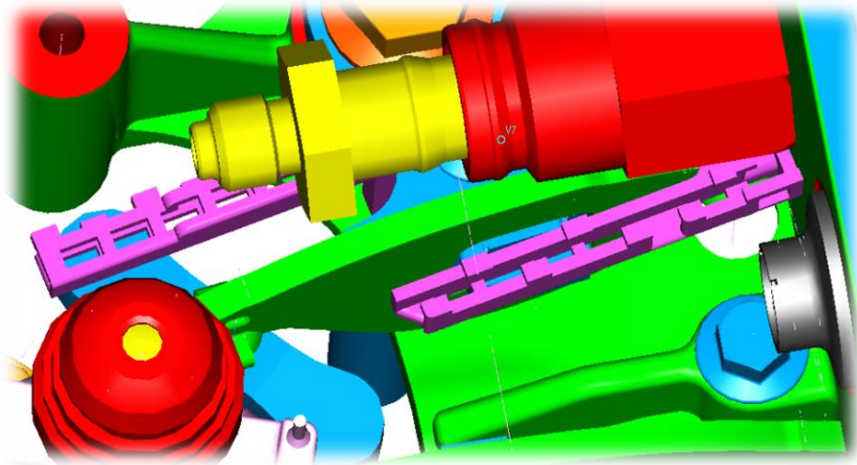
1) Engine Wiring Harness Support – I6



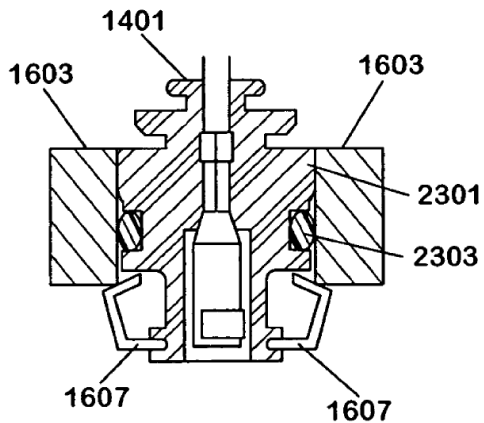
2) Glow Plug Apparatus– Glow Plug V8



3) Wire Guide Fuel Support – V8

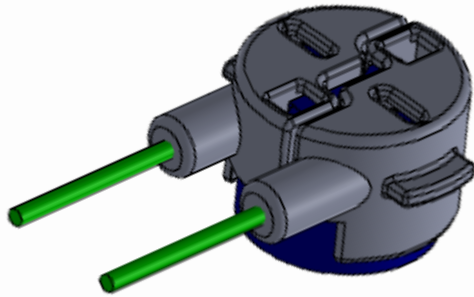


4) Retainer for Connector – Glow Plug V8

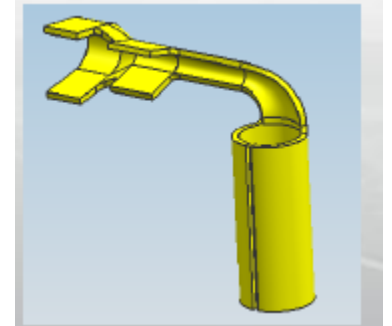
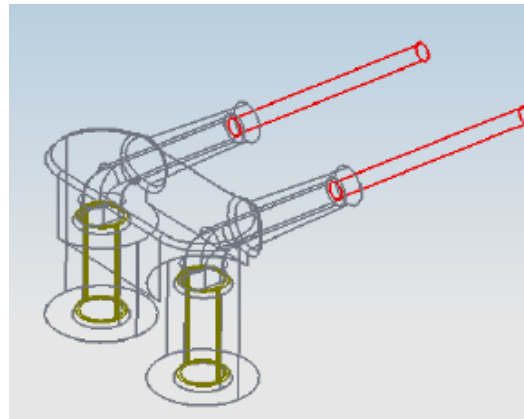
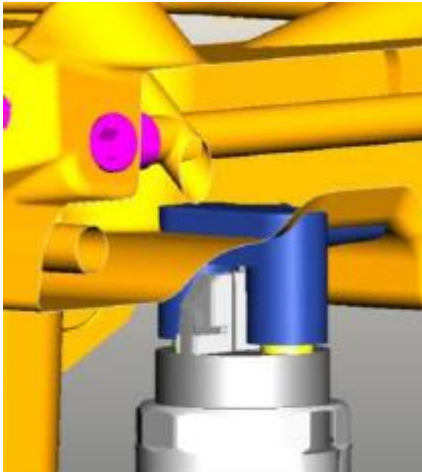
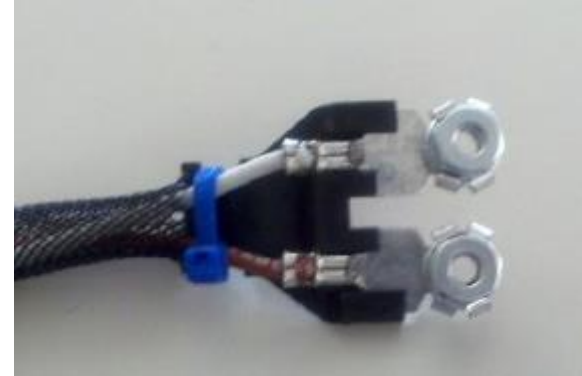


5) Push On Injector Connector - BB

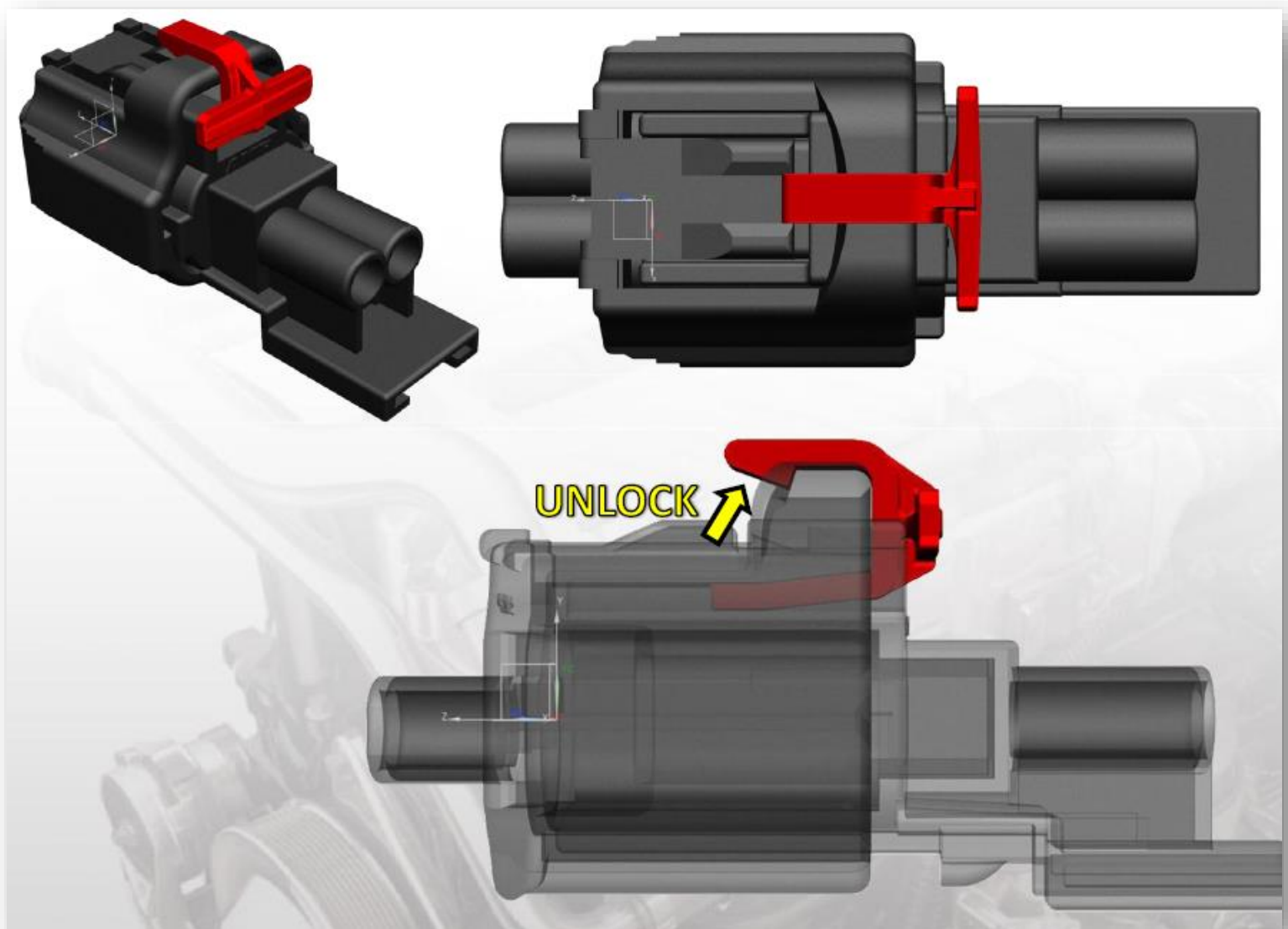
PROPOSAL



EXISTING



6) CPA – Connector Position Assurance – I6, BB and V8 –
Assigned internal number D7707



7) CPA – Connector Position Assurance – 3-way Pressure Sensor Connectors

